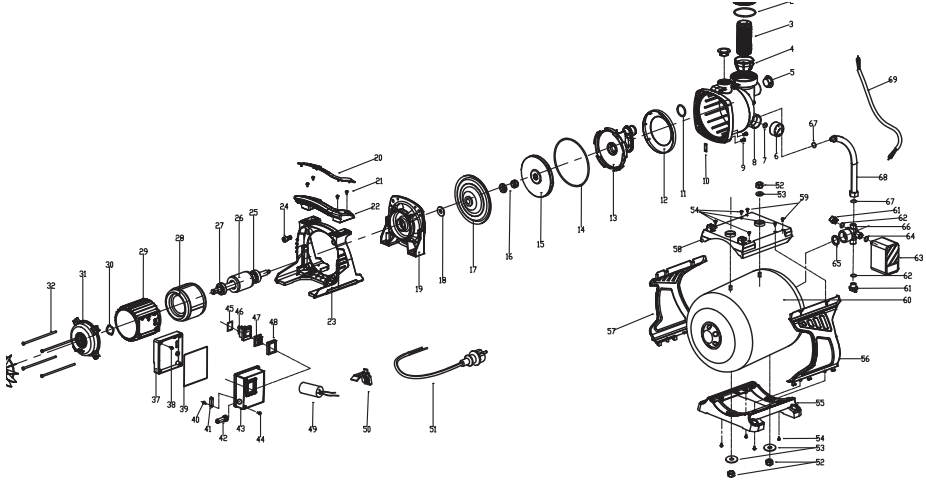


EXPLODED VIEW

Booster pump with pressure tank RDP-WP800SW



spare parts

Booster pump with pressure tank RDP-WP800SW

1	transparent cover
2	O-ring
3	filter net
4	filter bottom
5	plastic cover
6	pressure meter
7	O-ring
8	pump head
9	screw
10	gasket
11	O-ring
12	plastic cover
13	difuser
14	O-ring
15	impeller
16	mechanical seal
17	SS-flange
18	swing ring
19	bracket
20	handle cover
21	screw
22	handle
23	handle base
24	screw
25	bearing
26	rotor
27	bearing
28	stator
29	main body
30	wave gasket
31	motor back cover
32	body screw
33	fan
34	clamp spring

35	fan cover
36	screw
37	switch box-basic
38	screw
39	seal
40	screw
41	cable buckle
42	cable bjacket
43	switch box-cover
44	screw
45	seal
46	switch
47	switch-cover